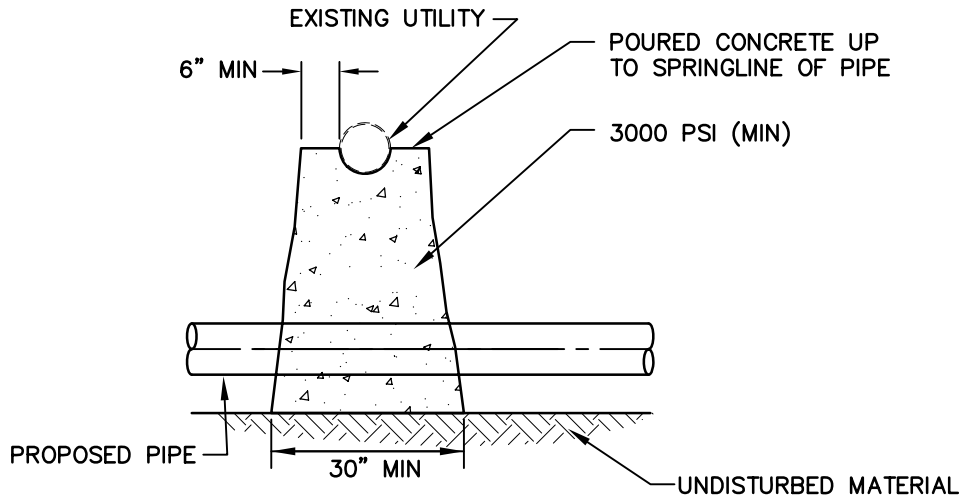


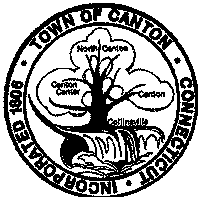
**TRENCH SECTION**



**SECTION A-A**

**STANDARD NOTES:**

1. TO BE USED AS DIRECTED BY THE WPCA OR ITS TECHNICAL CONSULTANT.
2. PLACE 6" UNDERGROUND UTILITY WARNING TAPE UNDER THE EXISTING UTILITY REGARDLESS OF THE DISTANCE BETWEEN THE PIPES. IF LESS THAN 2' BETWEEN THE PIPES, PROVIDE AN ADDITIONAL LAYER OF WARNING TAPE ABOVE THE EXISTING PIPE.
3. PROVIDE THE APPROPRIATE UNDERGROUND UTILITY WARNING TAPE OVER THE EXISTING UTILITY PIPE THAT HAS BEEN DISTURBED DURING INSTALLATION OF THE SANITARY SEWER. PROVIDE WARNING TAPE REGARDLESS IF EXISTING TAPE WAS NOT DISCOVERED.
4. SUPPORT EXISTING UTILITY PIPE TEMPORARILY WHILE TRENCH IS OPEN.



Water Pollution Control Authority  
Town of Canton

4 Market Street  
P.O. Box 168  
Collinsville, Connecticut 06022

SEWER CONSTRUCTION DETAIL

CONCRETE PIER PIPE  
SUPPORT

NO SCALE

LATEST REVISION: 2/07

NO. 036