

REFER TO SURFACE RESTORATION
DETAILS FOR REPAIRING TOP OF
PIPE TRENCH

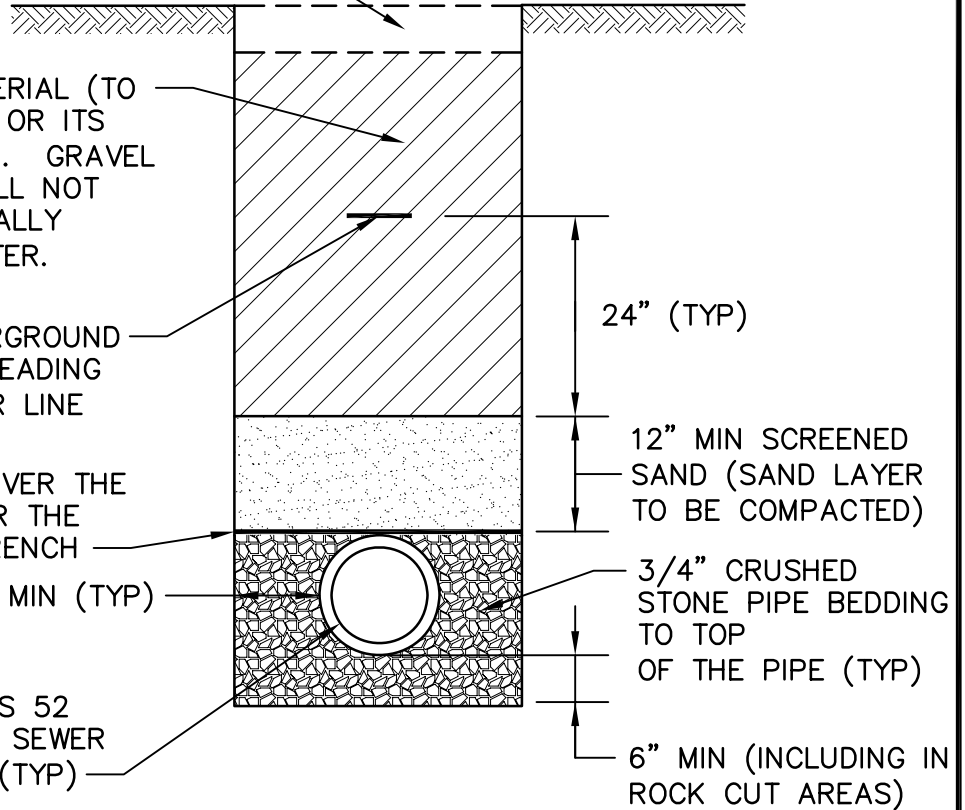
SUITABLE BACKFILL MATERIAL (TO
BE APPROVED BY WPCA OR ITS
TECHNICAL CONSULTANT). GRAVEL
BACKFILL MATERIAL SHALL NOT
CONTAIN STONES GENERALLY
LARGER THAN 6" DIAMETER.

6" WIDE METALLIC UNDERGROUND
UTILITY WARNING TAPE READING
"CAUTION: BURIED SEWER LINE
BELOW"

FILTER FABRIC PLACED OVER THE
STONE PIPE BEDDING FOR THE
ENTIRE WIDTH OF THE TRENCH

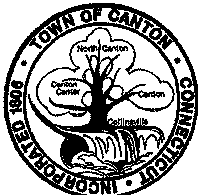
12" MIN (TYP)

SDR-35 PVC OR CLASS 52
DUCTILE IRON GRAVITY SEWER
MAIN / SERVICE PIPE (TYP)



STANDARD NOTES:

1. REFER TO SECTIONS 02514 AND 02515 FOR ADDITIONAL REQUIREMENTS ASSOCIATED WITH PIPE BEDDING FOR GRAVITY SEWER PIPE INSTALLATION.
2. THE 12" SAND LAYER OVER THE PIPE SHALL BE PROPERLY COMPACTED.
3. STONE BEDDING, FILTER FABRIC, AND SAND LAYER SHALL BE EXTENDED TO THE FULL WIDTH OF THE TRENCH.
4. MECHANICAL COMPACTION SHALL BE USED IN APPROPRIATE LIFTS TO OBTAIN A MINIMUM OF 95% MODIFIED PROCTOR DENSITY.



Water Pollution Control Authority
Town of Canton

4 Market Street
P.O. Box 168
Collinsville, Connecticut 06022

SEWER CONSTRUCTION DETAIL

PVC / DUCTILE IRON GRAVITY
SANITARY SEWER MAIN /
SERVICE TRENCH

NO SCALE

LATEST REVISION: 2/07

NO. 014